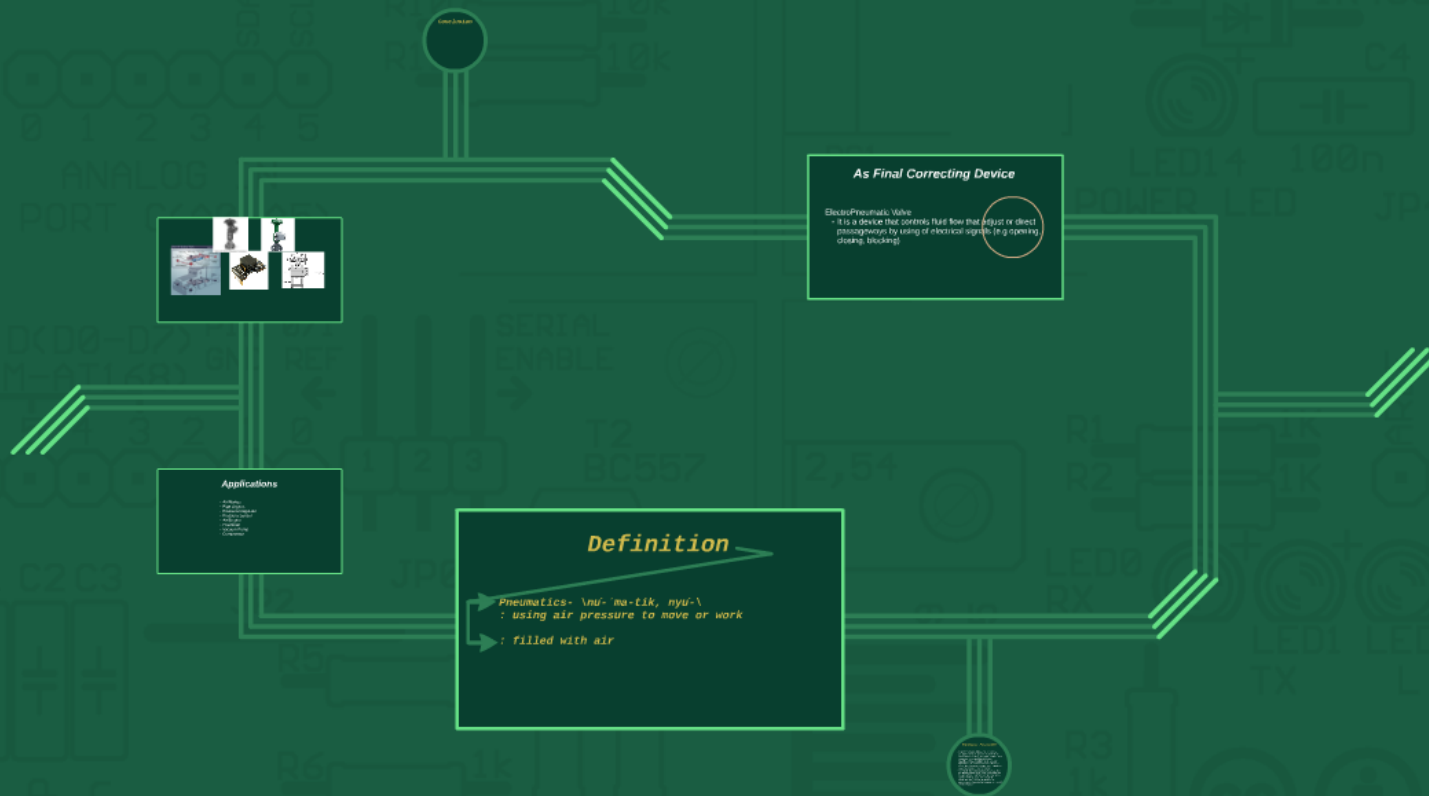
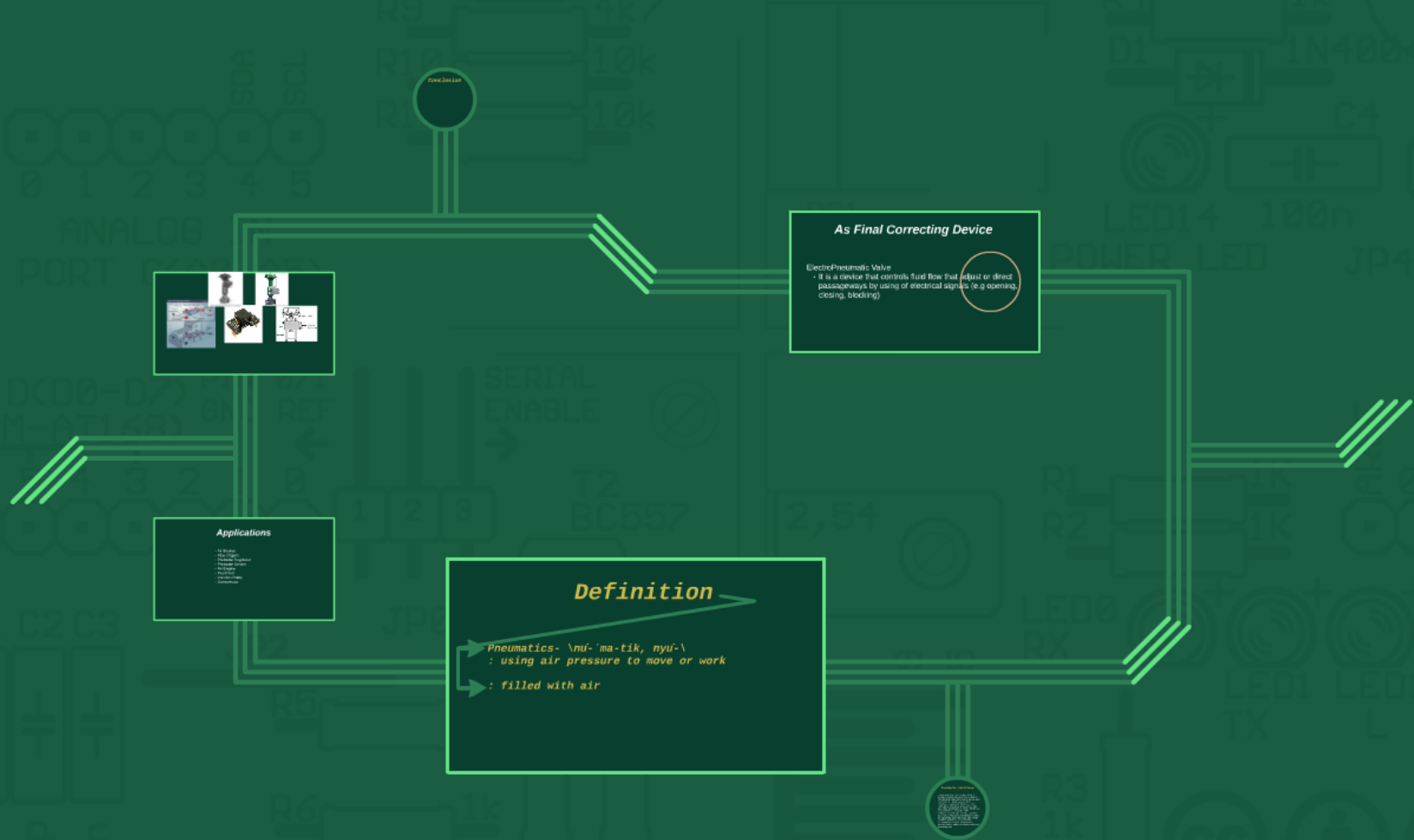


ELECTRO PNEUMATIC BRAKING SYSTEM OF A CAR UNIT Harvard Case Solution & Analysis



ELECTRO PNEUMATIC BRAKING SYSTEM OF A CAR UNIT Harvard Case Solution & Analysis



Definition



*Pneumatics- \nu-'ma-tik, nyu-\
: using air pressure to move or work*

: filled with air

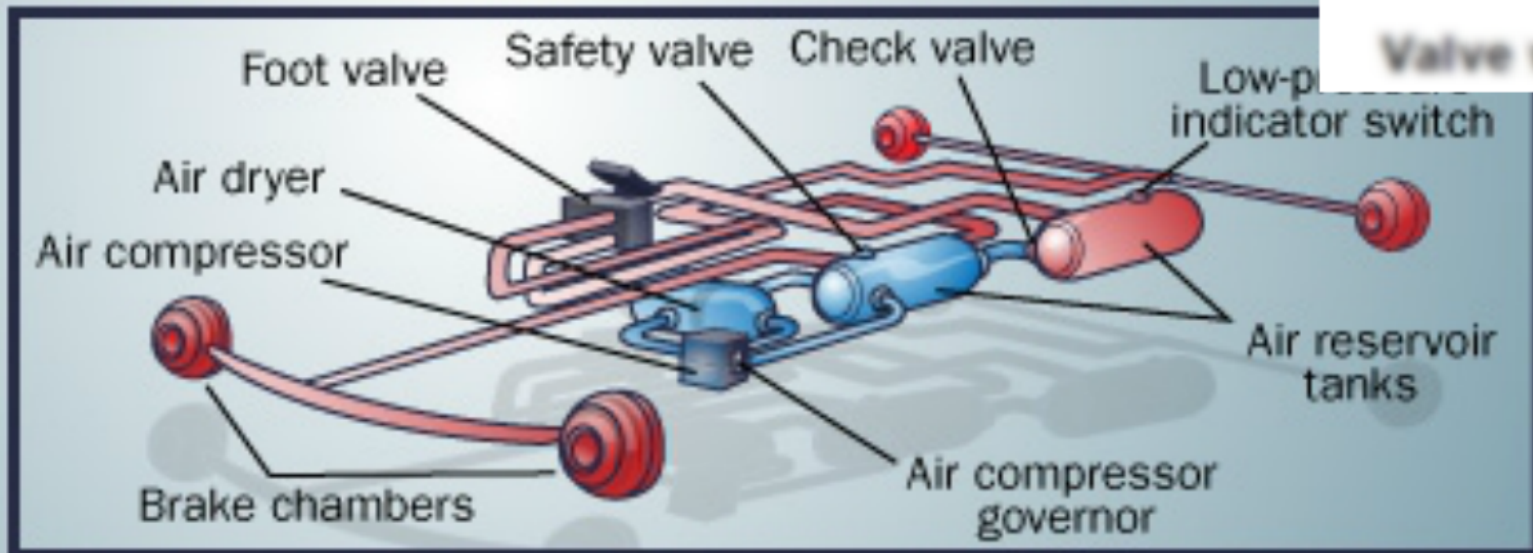
Applications

- Air Brakes
- Pipe Organs
- Pressure Regulator
- Pressure Sensor
- Air Engine
- Positioner
- Vacuum Pump
- Compressor

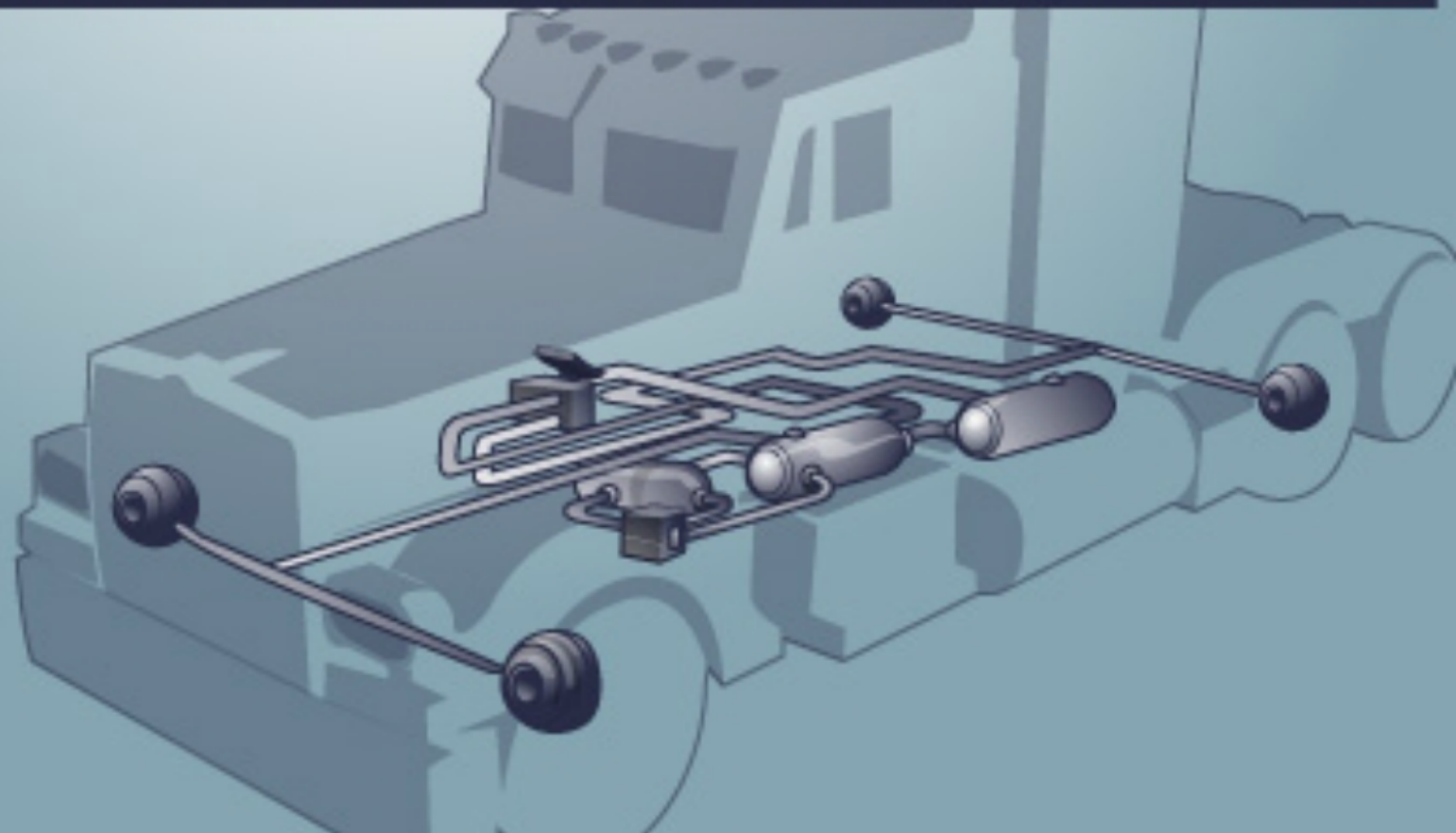
- Air Brakes
- Pipe Organs
- D
- D

How Air Brakes Work

©2008 Ho



Valve with Electro



- Air Brakes
- Pipe Organs
- Pressure Regulator
- Pressure Sensor
- Air Engine
- Positioner
- Vacuum Pump
- Compressor



Valve with Electro-Pneumatic Transducer