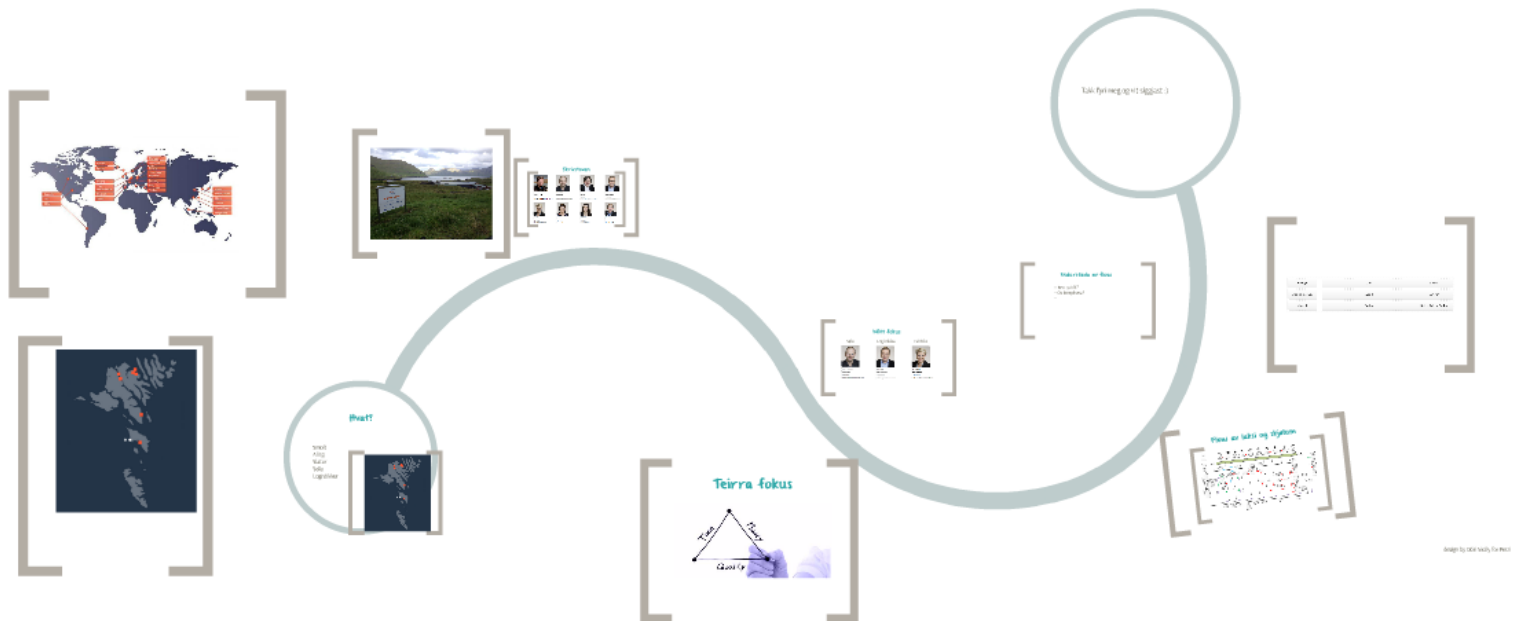




Marine Harvest Harvard Case Solution & Analysis

TheCaseSolutions.com





Marine Harvest Harvard Case Solution & Analysis

TheCaseSolutions.com



Hvat?

Smolt
Aling
Slátur
Søla
Logistikkur





marine harvest
excellence in seafood

Skrivstova/Office
Smoltstöðin Laxá

Skrivstovan



Hans Jákup Mikkelsen

Managing Director

+ 298 791001

hans.jakup.mikkelsen@marineharvest.com



Niclas K. Niclasen

Sales Manager

+298 791003

niclas.niclasen@marineharvest.com



Ernst Jacobsen

Local CFO

+ 298 791008

Ernst.jacobsen@marineharvest.com



Páll Larsen

Sales & Logistics

+ 298 791007

pall.larsen@marineharvest.com



Gudny Vang

Quality Manager

+ 298 791005

gudny.vang@marineharvest.com



Una Cornette

Accounting Manager

+ 298 791002

una.cornette@marineharvest.com



Heidi Hansen

Accountant

+298 791004

heidi@marineharvest.fo



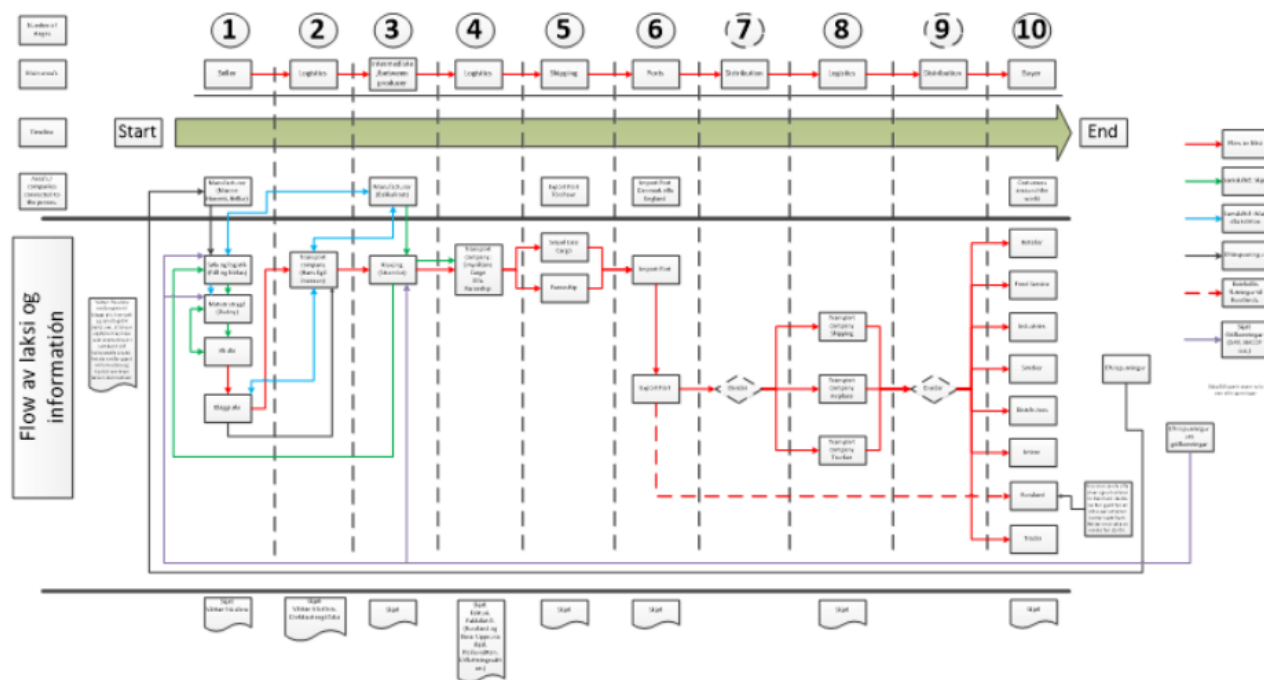
Jóhan Toftegaard

Fresh Water Manager

+298 791050

johan@marineharvest.fo

Flow av laks og skjølum



Skrivstovan



Hans Jákup Mikkelsen

Managing Director

+ 298 791001

hans.jakup.mikkelsen@marineharvest.com



Niclas K. Niclasen

Sales Manager

+298 791003

niclas.niclasen@marineharvest.com



Ernst Jacobsen

Local CFO

+ 298 791008

Ernst.jacobsen@marineharvest.com



Páll Larsen

Sales & Logistics

+ 298 791007

pall.larsen@marineharvest.com



Gudny Vang

Quality Manager

+ 298 791005

gudny.vang@marineharvest.com



Una Cornette

Accounting Manager

+ 298 791002

una.cornette@marineharvest.com



Heidi Hansen

Accountant

+298 791004

heidi@marineharvest.fo



Jóhan Toftegaard

Fresh Water Manager

+298 791050

johan@marineharvest.fo