



### What are Electric cars?

an EM powered motor vehicle that is charged via grid or battery or solar energy

### ELECTRIC VEHICLES Harvard Case Solution & Analysis



TheCaseSolutions.com

### The Future



### History



### Electric cars today! (Tesla Model S)



## ELECTRIC VEHICLES Harvard Case Solution & Analysis

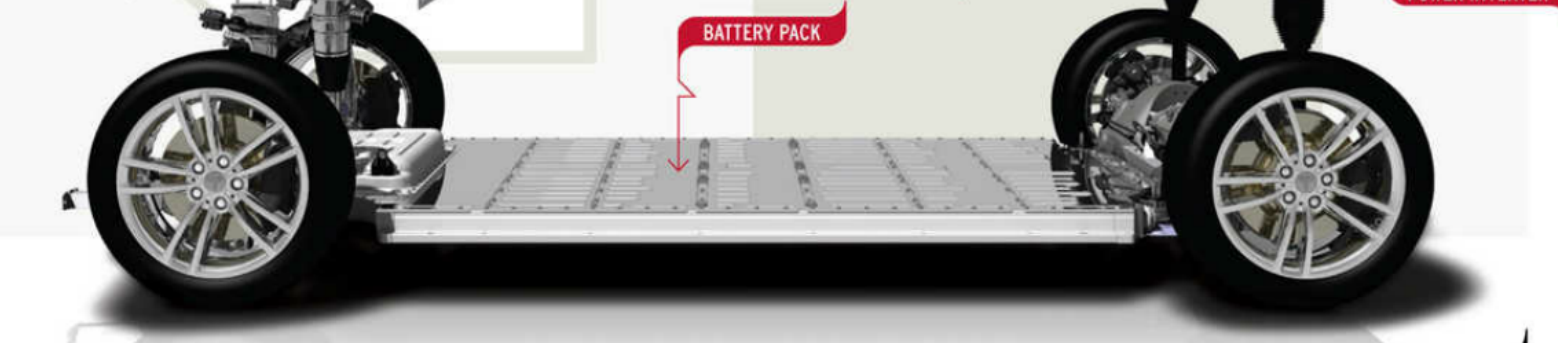
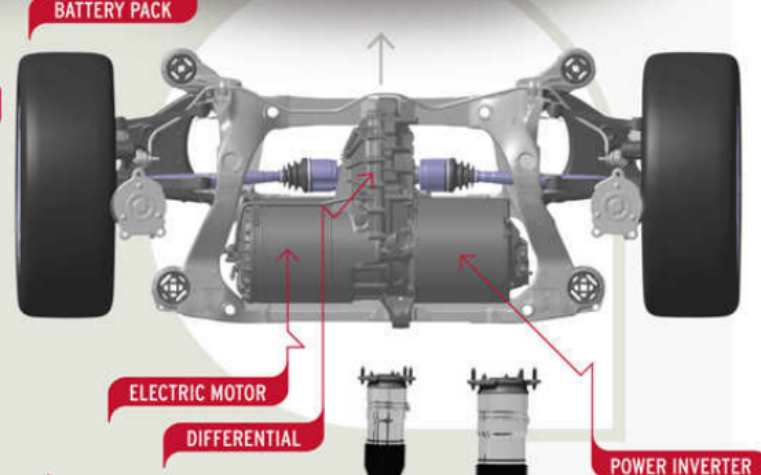
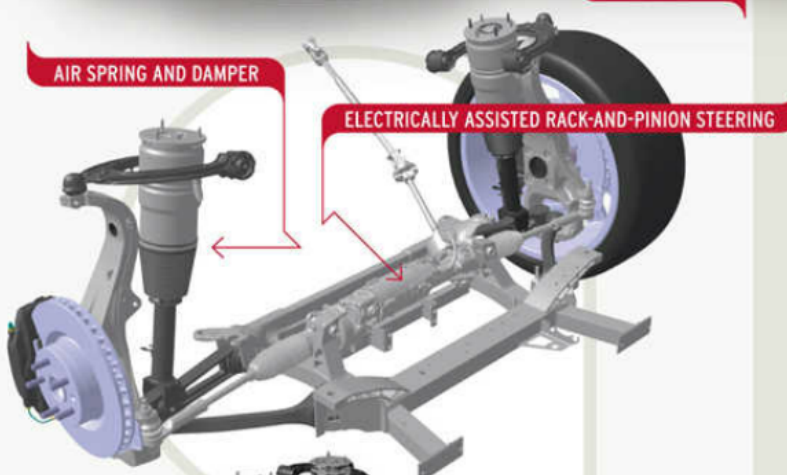
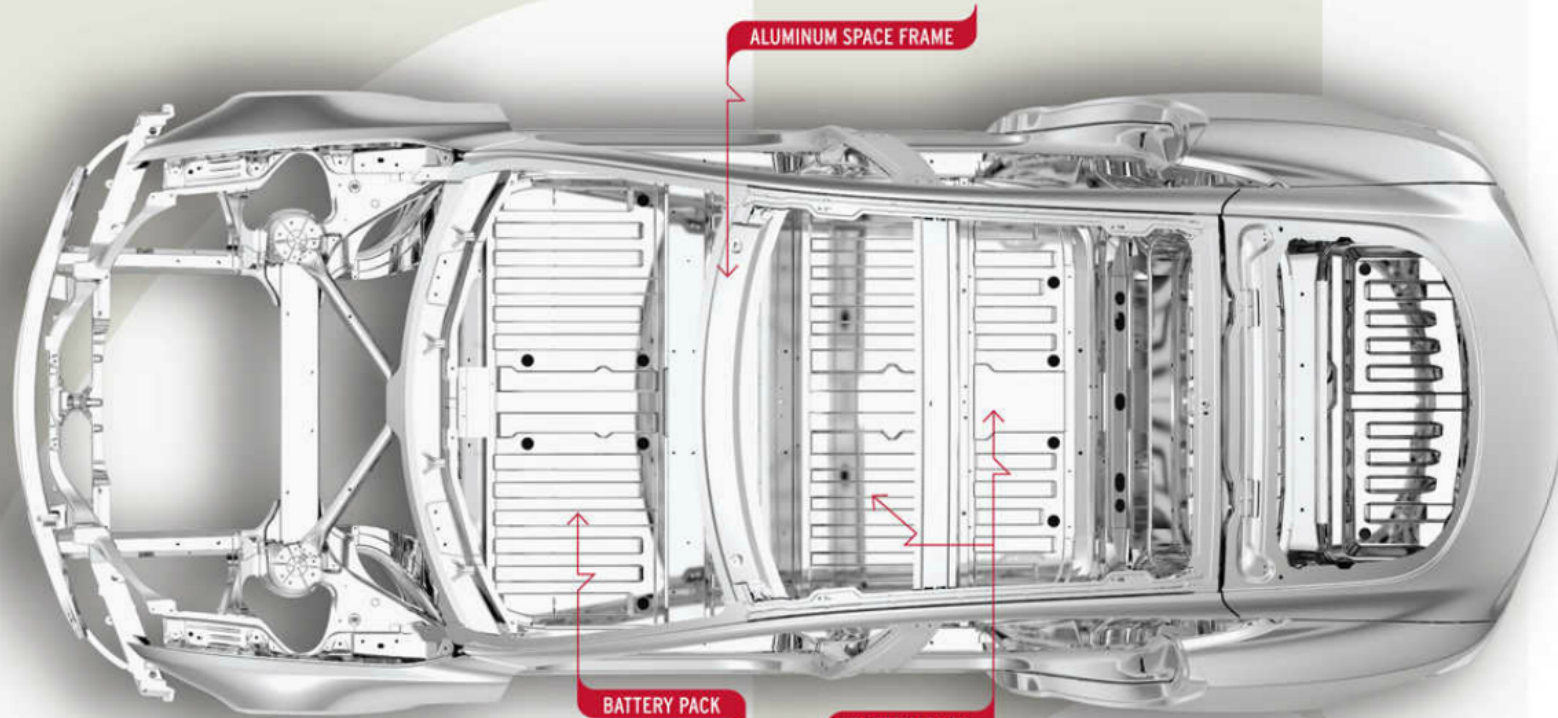


[TheCaseSolutions.com](http://TheCaseSolutions.com)

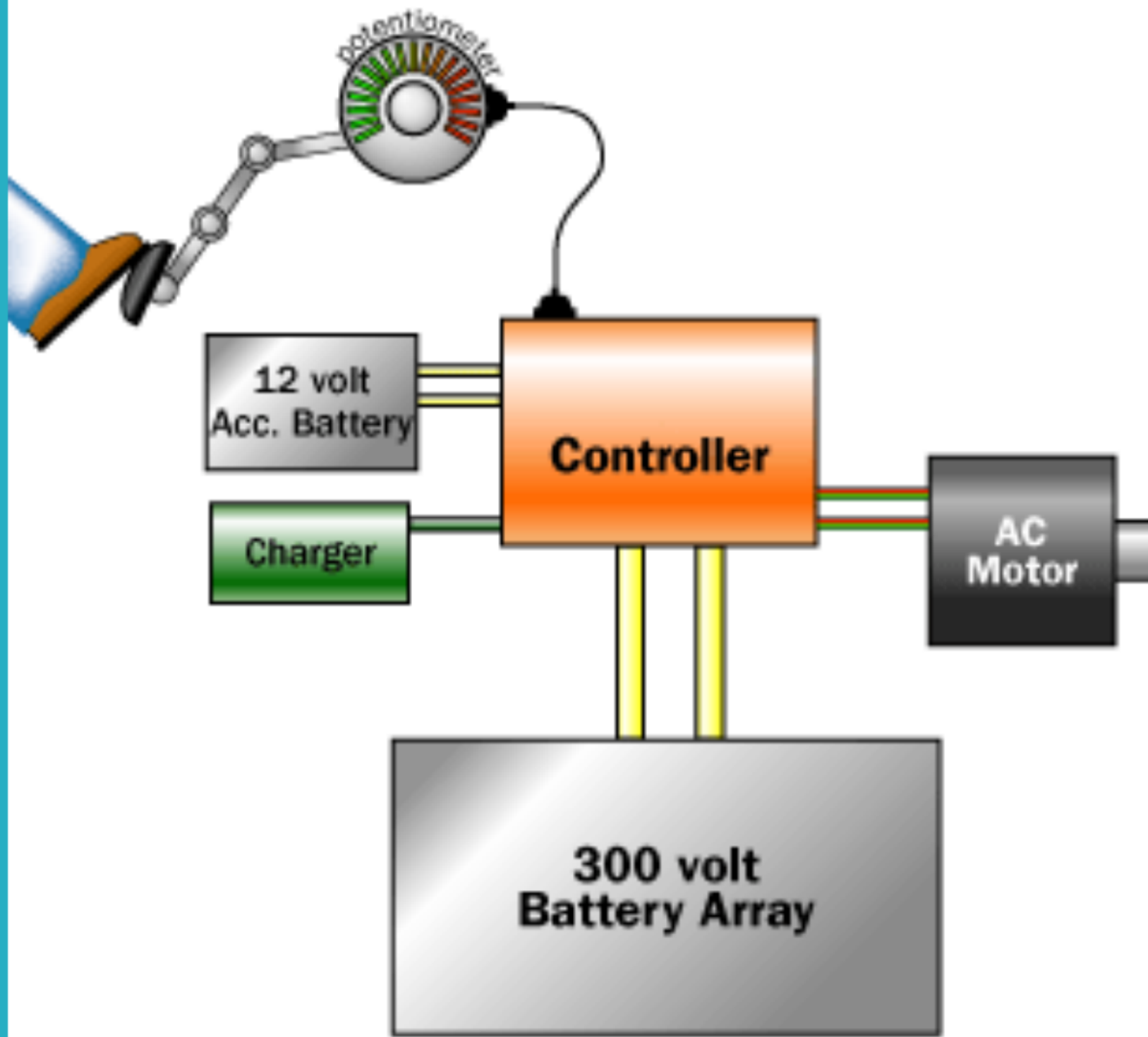


# What are Electric cars?

a car that is powered by one electric motor or more, using electrical energy stored in batteries or another energy storage device.







History