

Nintendo's Disruptive Strategy: Implications for the Video Game Industry

TheCaseSolutions.com

Tesla Motors

June 12: All Our Patents Belong To You

Elon Musk, CEO Tesla Motors:

"Tesla Motors was created to **accelerate** the advent of sustainable transport. If we **clear a path** to the creation of compelling electric vehicles, but then lay **intellectual property landmines** behind us to inhibit others, we are acting in a manner contrary to that goal. Tesla **will not initiate patent lawsuits** against anyone who, in good faith, wants to use our technology."

Disruptive Technology

- Creating new markets
- Beyond traditional business models



[teslamotors.com]
TheCaseSolutions.com



[osvehicle.com]

working question

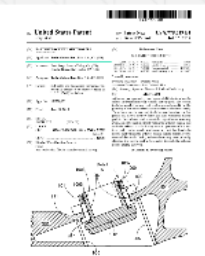
As a disruptive innovator, what value will Tesla gain beyond altruistic intent from releasing all of its patents?



[marketwatch.com, TSLA]

Patents in the US

- patent trolls
- cost
- infringement
- litigation



TheCaseSolutions.com

Privacy and Secrecy



Next Steps

- Iterate and Refine --
- Clarify: quantifying value
 - Obtain: patent use
 - Connect: open-source development platforms and Tesla employees



Automotive Industry Norms

- manufacturing behind closed doors
- research and development
- extremely expensive
- extremely private
- foundation of value of company
- industrial espionage



[Berglund.com, WPCO]

Significance

- Distribution, circulation and manufacturing
- Redefining value within business
- Redefining value within industry

Open Source and Proprietary Models



Scaffolding

What?

- Patents
- Automotive Industry
- Disruptive Technology
- Tesla Motors

Why?

- Significance

How?

- Secrecy and Privacy
- Open-Source and Proprietary Models
- Working Question
- Next Steps

TheCaseSolutions.com

Nintendo's Disruptive Strategy: Implications for the Video Game Industry

TheCaseSolutions.com

Tesla Motors

June 12: All Our Patents Belong To You

Elon Musk, CEO Tesla Motors:

"Tesla Motors was created to **accelerate** the advent of sustainable transport. If we **clear a path** to the creation of compelling electric vehicles, but then lay **intellectual property landmines** behind us to inhibit others, we are acting in a manner contrary to that goal. Tesla **will not initiate patent lawsuits** against anyone who, in good faith, wants to use our technology."

Disruptive Technology

- Creating new markets
- Beyond traditional business models



[teslamotors.com]
TheCaseSolutions.com



[osvehicle.com]

working question

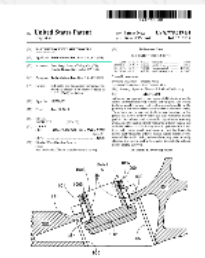
As a disruptive innovator, what value will Tesla gain beyond altruistic intent from releasing all of its patents?



[marketwatch.com, TSLA]

Patents in the US

- patent trolls
- cost
- infringement
- litigation



TheCaseSolutions.com

Privacy and Secrecy



Next Steps

- Iterate and Refine --
- Clarify: quantifying value
 - Obtain: patent use
 - Connect: open-source development platforms and Tesla employees



Automotive Industry Norms

- manufacturing behind closed doors
- research and development
- extremely expensive
- extremely private
- foundation of value of company
- industrial espionage



[Bergson, MITCIG]

Significance

- Disruptive innovation and manufacturing
- Redefining value within business
- Disruptive innovation and business

Open Source and Proprietary Models



Scaffolding

- What?**
- Patents
 - Automotive Industry
 - Disruptive Technology
 - Tesla Motors
- Why?**
- Significance
- How?**
- Secrecy and Privacy
 - Open-Source and Proprietary Models
 - Working Question
 - Next Steps

TheCaseSolutions.com

Scaffolding

What?

- Patents
- Automotive Industry
- Disruptive Technology
- Tesla Motors

Why?

- Significance

How?

- Secrecy and Privacy
- Open-Source and Proprietary Models
- Working Question
- Next Steps

Patents in the US

- patent trolls
- cost
- infringement
- litigation



US008778519B1

(12) **United States Patent**
Frey et al.

(10) **Patent No.:** US 8,778,519 B1
(45) **Date of Patent:** Jul. 15, 2014

(54) **BATTERY PACK EXHAUST NOZZLE**
TheCaseSolutions.com

(56) **References Cited**

(71) Applicant: **Tesla Motors, Inc.**, Palo Alto, CA (US)

U.S. PATENT DOCUMENTS

(72) Inventors: **Paul Frey**, Portola Valley, CA (US);
Dustin Grace, San Carlos, CA (US)

7,235,327 B2*	6/2007	Kim et al.	429/56
2009/0181269 A1*	7/2009	Unseli et al.	429/13
2011/0174556 A1*	7/2011	Hermann et al.	180/65.1
2012/0164545 A1*	6/2012	van Rensburg et al.	429/407

(73) Assignee: **Tesla Motors, Inc.**, Palo Alto, CA (US)

* cited by examiner

(*) Notice: Subject to any disclaimer, the term of this patent is extended or adjusted under 35 U.S.C. 154(b) by 0 days.

Primary Examiner — Patrick Ryan
Assistant Examiner — Jose Colucci Rios
(74) Attorney, Agent, or Firm — J. Richard Soderberg

(21) Appl. No.: 13/751,053

(22) Filed: Jan. 26, 2013

(51) Int. Cl. **H01M 2/12** (2006.01)

(52) U.S. Cl. CPC: **H01M 2/1282** (2013.01); **H01M 2/1229** (2013.01)

USPC: **429/54**

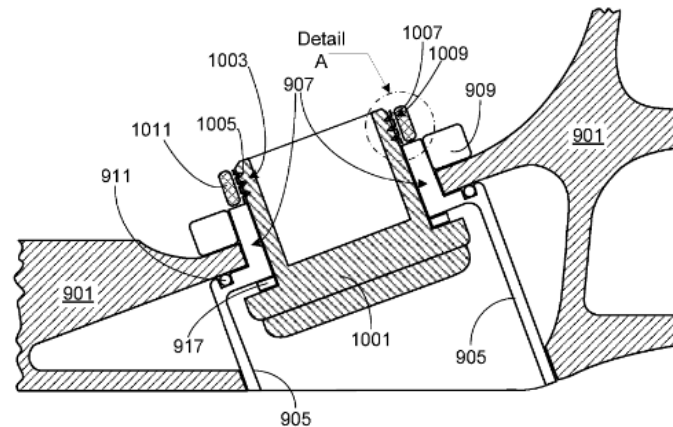
(58) **Field of Classification Search**

None
See application file for complete search history.

ABSTRACT

(57) A thermal management system is provided that minimizes the effects of thermal runaway within a battery pack. The system includes a sealed battery pack enclosure configured to hold a plurality of batteries and at least one exhaust nozzle assembly. The exhaust nozzle assembly includes an exhaust nozzle that passes and directs the flow of hot gas from within the battery pack to the ambient environment during a thermal runaway event, a nozzle seal mounted within the exhaust nozzle that seals the exhaust nozzle during normal operation of the battery pack, and a nozzle seal mounting nut that holds the nozzle seal within the exhaust nozzle during normal operation and then melts during a thermal runaway event, thereby allowing the nozzle seal to be ejected through the exhaust nozzle during the event.

14 Claims, 13 Drawing Sheets



TheCaseSolutions.com

[US Patent Office, Tesla Motors]

(12) **United States Patent**
Frey et al.

(54) **BATTERY PACK EXHAUST NOZZLE**
TheCaseSolutions.com

(71) Applicant: **Tesla Motors, Inc.**, Palo Alto, CA (US)

(72) Inventors: **Paul Frey**, Portola Valley, CA (US);
Dustin Grace, San Carlos, CA (US)

(73) Assignee: **Tesla Motors, Inc.**, Palo Alto, CA (US)

(*) Notice: Subject to any disclaimer, the term of this patent is extended or adjusted under 35 U.S.C. 154(b) by 0 days.

Automotive Industry Norms

- manufacturing behind closed doors
 - research and development
 - extremely expensive
 - extremely private
 - foundation of value of company
 - industrial espionage
- TheCaseSolutions.com



© MARK BRAMLEY

[dailymail.co.uk, MP4-12C]

Disruptive Technology

- Creating new markets
- Beyond traditional business models



[teslamotors.com]

TheCaseSolutions.com



[osvehicle.com]

- Beyond traditional business mo



TheCaseSolutions.com

[teslamotors.com]

TheCaseSolutions.com



TheCaseSolutions.com