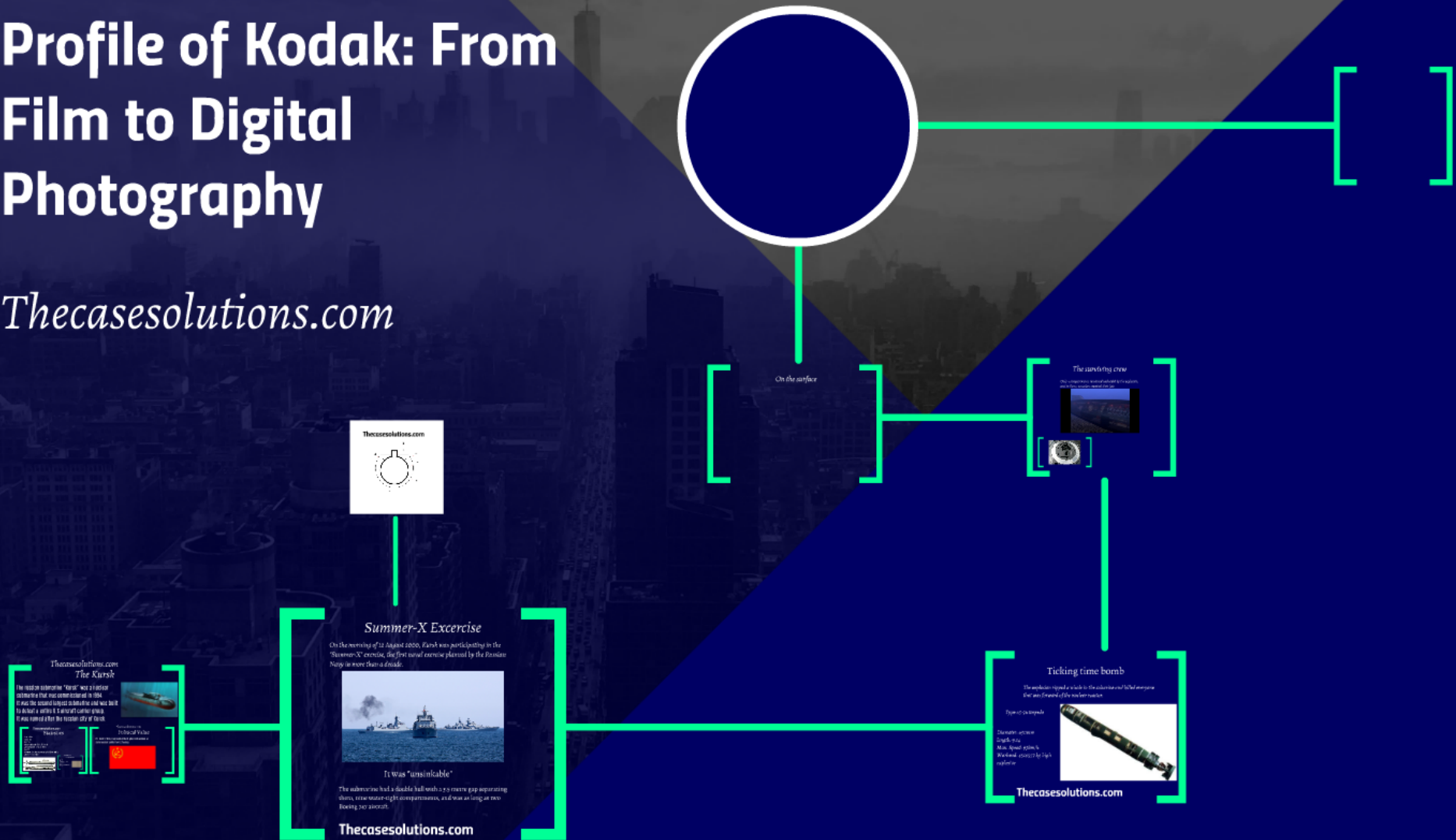


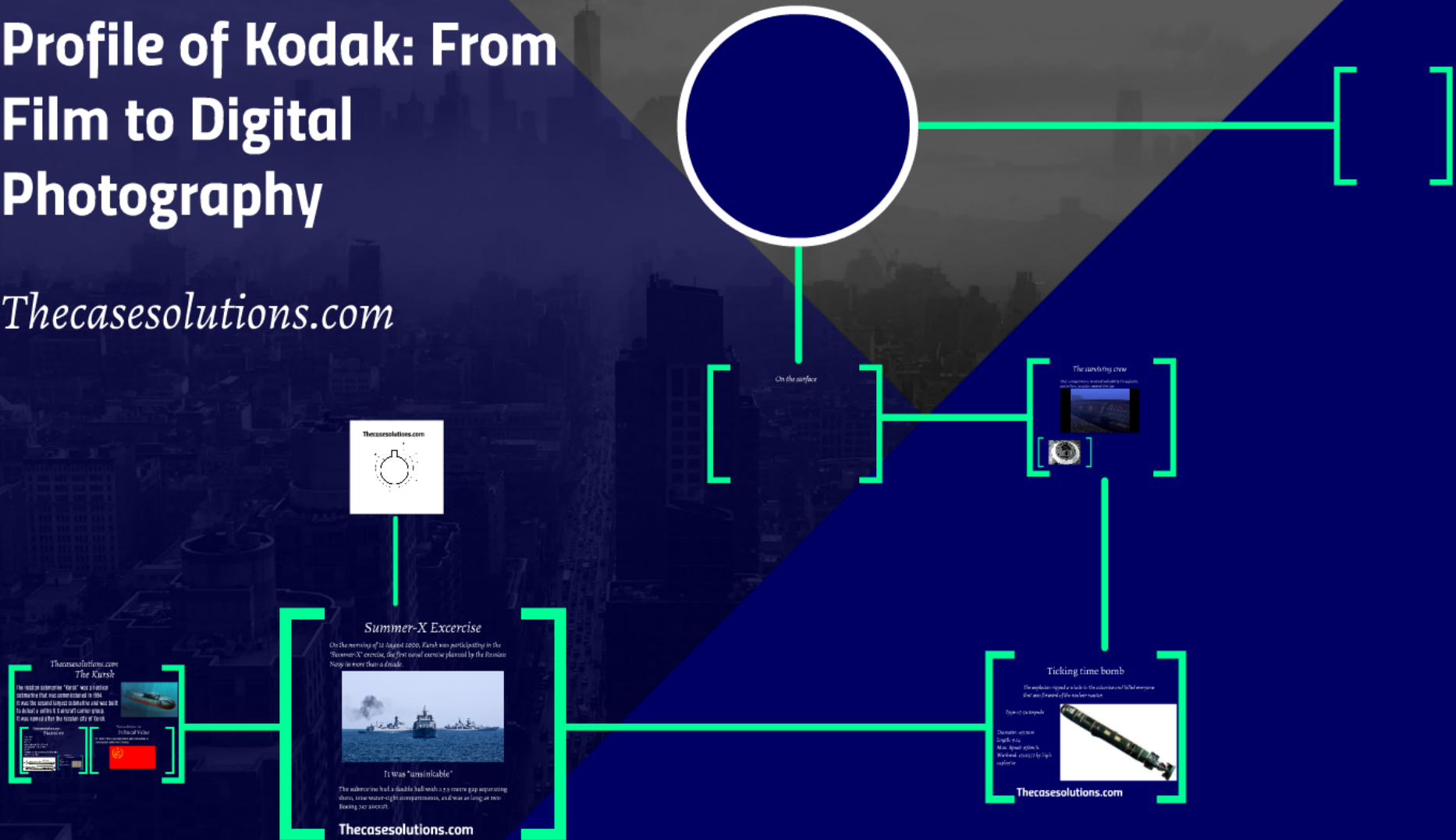
Profile of Kodak: From Film to Digital Photography

Thecasesolutions.com



Profile of Kodak: From Film to Digital Photography

Thecasesolutions.com



Thecasesolutions.com

The Kursk

The russian submarine "Kursk" was a nuclear submarine that was commissioned in 1994. It was the second largest submarine and was built to defeat a entire U.S aircraft carrier group. It was named after the russian city of Kursk.



Thecasesolutions.com

Statistics

Length: 154m
Beam: 18.2
Draft: 9m
Submerged Speed: 32 kts (59 km/h)
Surfaced Speed: 16 Kts (30 km/h)
Crew:112
Armament: 24x Anti-ship missiles, 4x 533mm and 2x 650mm torpedo tubes



Thecasesolutions.com

Political Value

The Kursk's design represented the highest achievement of Soviet nuclear submarine technology



OT KUTSK.

Thecasesolutions.com

Political Value

The Kursk's design represented the highest achievement of Soviet nuclear submarine technology



Thecasesolutions.com Statistics

Length: 154m

Beam: 18.2

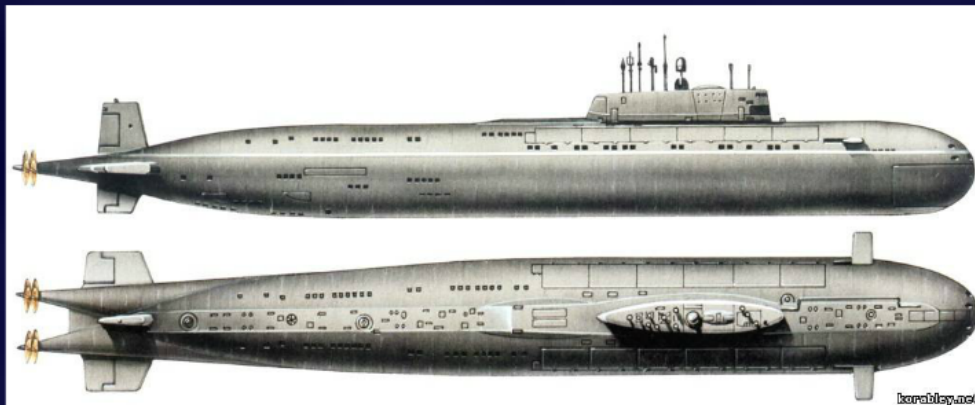
Draft: 9m

Submerged Speed: 32 kts (59 km/h)

Surfaced Speed: 16 kts (30 km/h)

Crew:112

Armament: 24x Anti-ship missiles, 4x 533mm and 2x 650mm torpedo tubes



Thecasesolutions.com

The Vanguard-Class submarine

Length: 150m

Beam: 12.8

Draft: 12m

Submerged Speed: 25 kts (46 km/h)

Surfaced Speed: ?

Crew: 135

Armament: 4x 533mm torpedo tubes and 16x missile tubes



Thecasesolutions.com

The Vanguard-Class submarine

Length: 150m

Beam: 12.8

Draft: 12m

Submerged Speed: 25 kts (46 km/h)

Surfaced Speed: ?

Crew: 135

Armament: 4x 533mm torpedo tubes and 16x
missile tubes



Summer-X Excercise

On the morning of 12 August 2000, Kursk was participating in the "Summer-X" exercise, the first naval exercise planned by the Russian Navy in more than a decade.

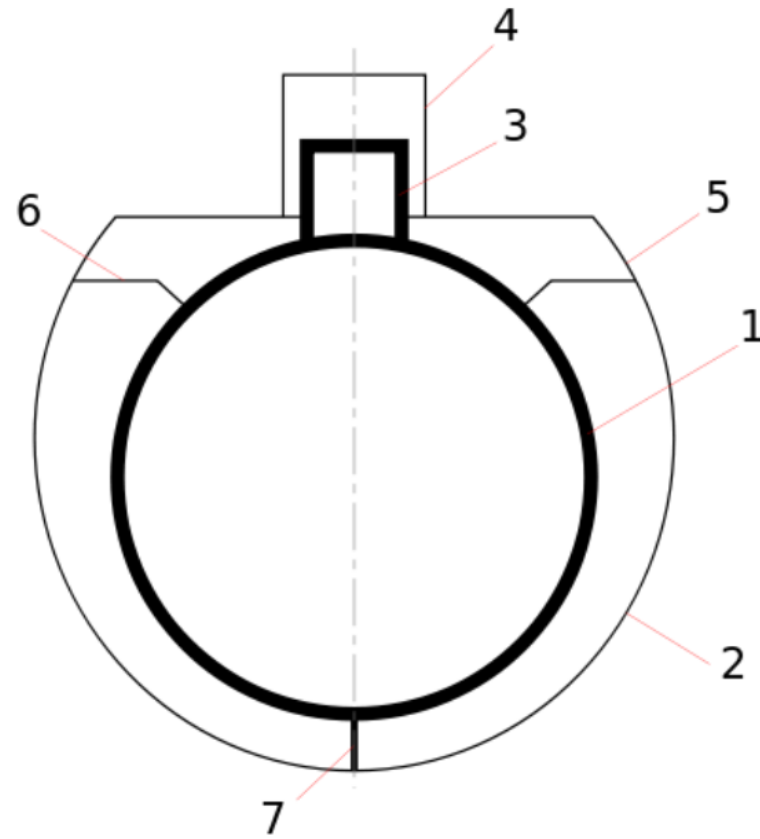


It was "unsinkable"

The submarine had a double hull with a 3.5 metre gap separating them, nine water-tight compartments, and was as long as two Boeing 747 aircraft.

Thecasesolutions.com

Thecasesolutions.com



Ticking time bomb

The explosion ripped a hole in the submarine and killed everyone that was forward of the nuclear reactor.

Type 65-76 torpedo

Diameter: 650mm

length: 9.14

Max. Speed: 93km/h

Warhead: 450/557 kg high explosive



Thecasesolutions.com